

LED Corn Lamp IP64



80W

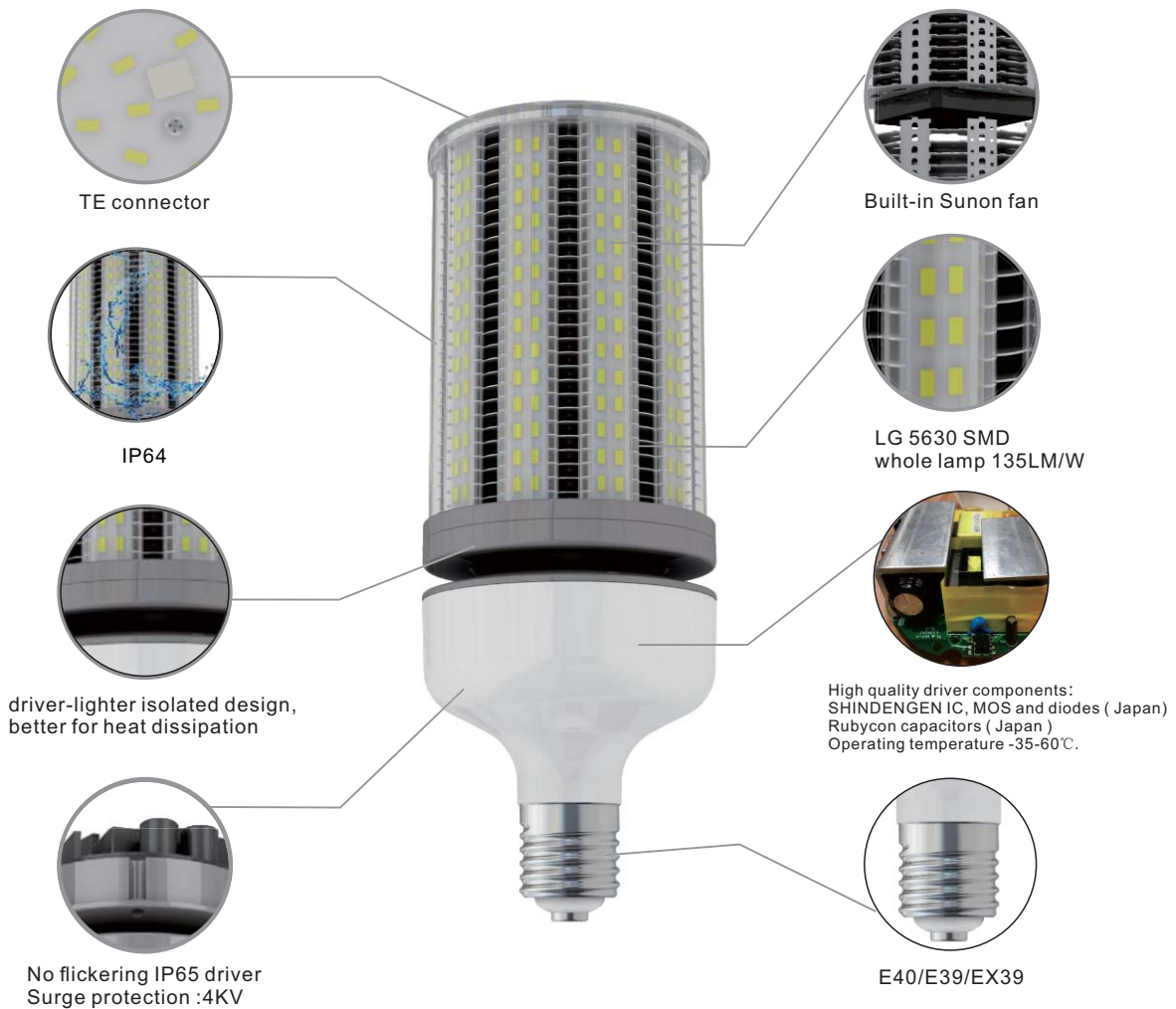
100W

120W

140W



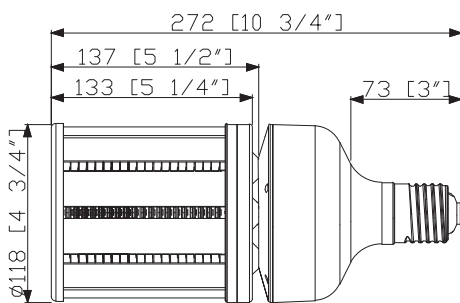
Features



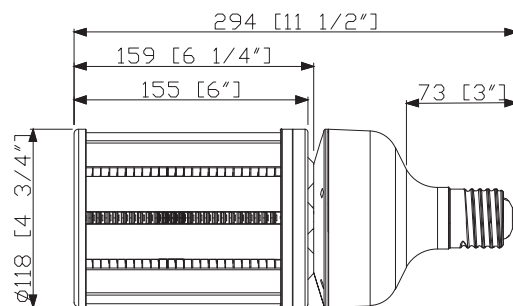
Specifications

Model	Color	CCT	Lumen (lm) (±10%)	Power(w) (±10%)	Base	Voltage
CB39-080-AW-W	White	5000K	11080	80	E39/EX39/E40	100-277V AC
CB39-080-AW-NW	Neutral white	4000K	10550	80	E39/EX39/E40	100-277V AC
CB39-080-AW-WW	Warm white	3000K	9820	80	E39/EX39/E40	100-277V AC
CB39-100-AW-W	White	5000K	14030	100	E39/EX39/E40	100-277V AC
CB39-100-AW-NW	Neutral white	4000K	13360	100	E39/EX39/E40	100-277V AC
CB39-100-AW-WW	Warm white	3000K	12420	100	E39/EX39/E40	100-277V AC
CB39-120-AW-W	White	5000K	16720	120	E39/EX39/E40	100-277V AC
CB39-120-AW-NW	Neutral white	4000K	15920	120	E39/EX39/E40	100-277V AC
CB39-120-AW-WW	Warm white	3000K	14810	120	E39/EX39/E40	100-277V AC
CB39-140-AW-W	White	5000K	19460	140	E39/EX39/E40	100-277V AC
CB39-140-AW-NW	Neutral white	4000K	18540	140	E39/EX39/E40	100-277V AC
CB39-140-AW-WW	Warm white	3000K	17240	140	E39/EX39/E40	100-277V AC

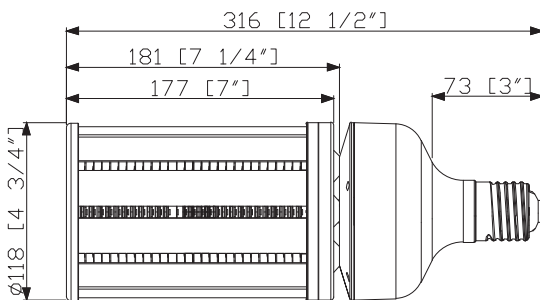
Dimensions (Unit: mm)



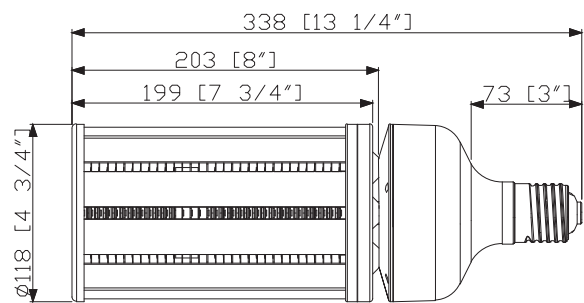
CB39-080-AW



CB39-100-AW

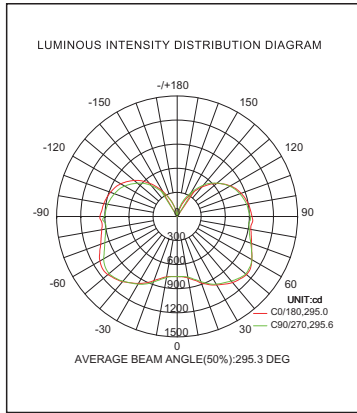


CB39-120-AW

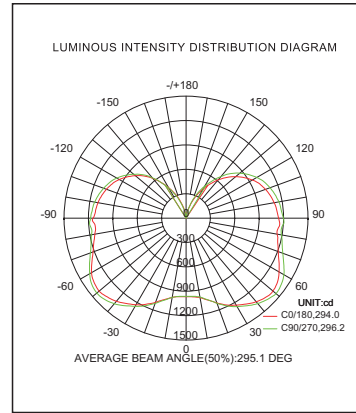


CB39-140-AW

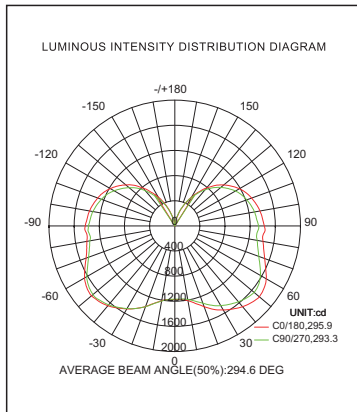
Luminous Intensity Distribution Diagram



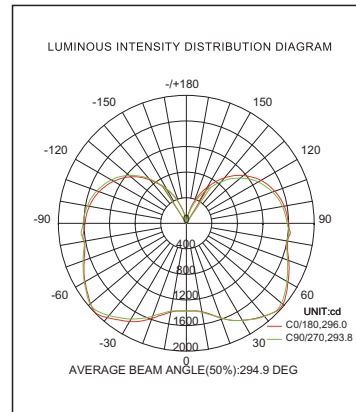
CB39-080-AW-NW



CB39-100-AW-NW

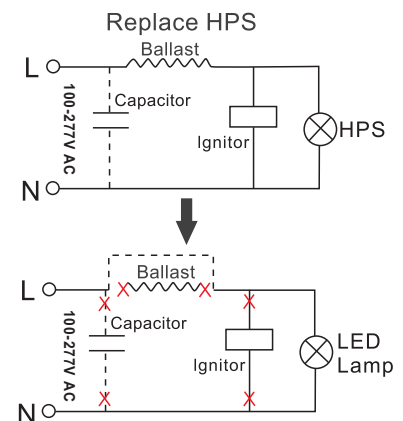
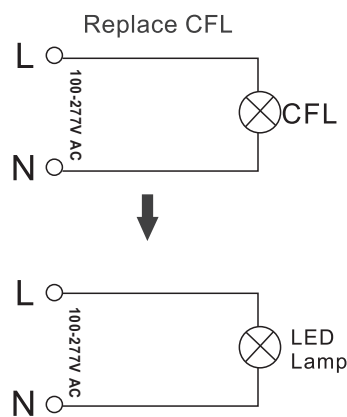
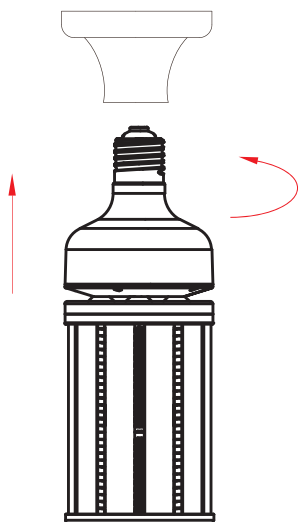


CB39-120-AW-NW



CB39-140-AW-NW

Installation



Main Applications



Widely use in slow lane, narrow lane, residential area, scenic spot, park, square and other public places for indoor or outdoor lighting and replace traditional sodium lamp and energy-saving lamp.

Packing information

specifications	Packing qty.	Inner box dimension	carton dimension	Net weight	Gross weight
80W	12PCS	150*150*300mm	620*470*330mm	1.3KG	18KG
100W	12PCS	150*150*320mm	620*470*350mm	1.4KG	19KG
120W	12PCS	150*150*340mm	620*470*370mm	1.5KG	20KG
140W	12PCS	150*150*360mm	620*470*390mm	1.6KG	21KG

! Notice

1. Please read the specification first, to make sure the service environment matches the condition in the specification before using.
2. Please confirm the applicable power supply before using.
3. Make sure the switch of product is off before connect to the power supply to prevent electric shock.
4. Operation against rules may damage your property even harm to your personal safety.
5. Dangerous high voltage, Non-professionals are not allowed to maintain the products.