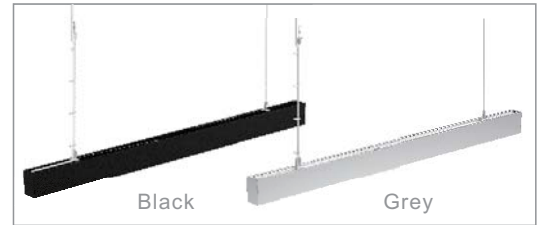


LED Linear Light

SL10075 in single run



Black

Grey

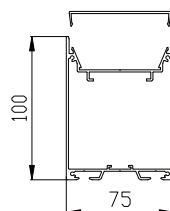


Features

1. Simple and modern design, screwless at end cap.



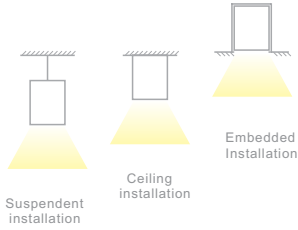
2. Extrusion aluminum lamp body and PC cover.



3. Smooth and soft lighting effect, no dark dot and shadow at the lighting area.



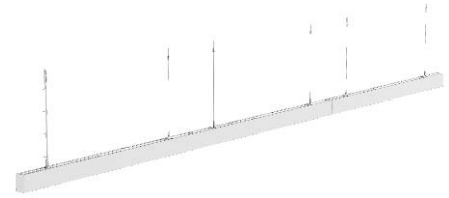
4. Various installation: Suspended, ceiling and recessed.



5. Three colors of lamp body, white, black and silver.



6. Continuous connection at max 550W run.



Specifications

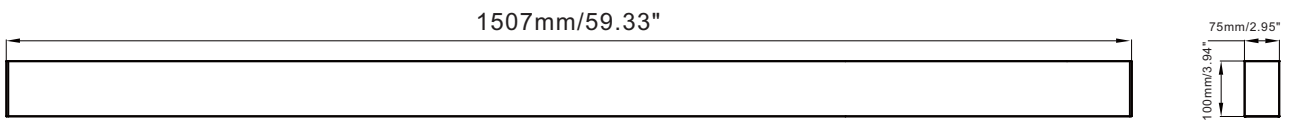
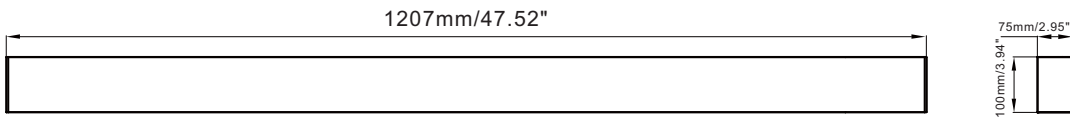
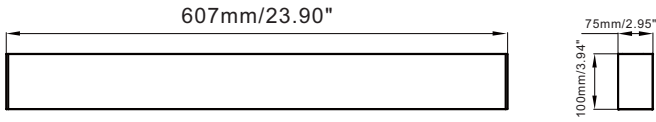
Model	CCT	LED Type	Lumen(lm) (±10%)	Power(W) (±10%)	Length(mm)	Voltage (V)
LN-SL10075-040-AW-A-01W	6000-6500K	2835	3630 lm	40W	1200	AC 100-240V 50/60Hz
LN-SL10075-040-AW-A-01NW	3800-4200K		3557 lm	40W	1200	
LN-SL10075-040-AW-A-01WW	2800-3200K		3460 lm	40W	1200	
Beam angle	PF	CRI	IP	Life span	Reflector	
110°	>0.95	≥80	IP40	50000hrs	Milky cover	

Applications

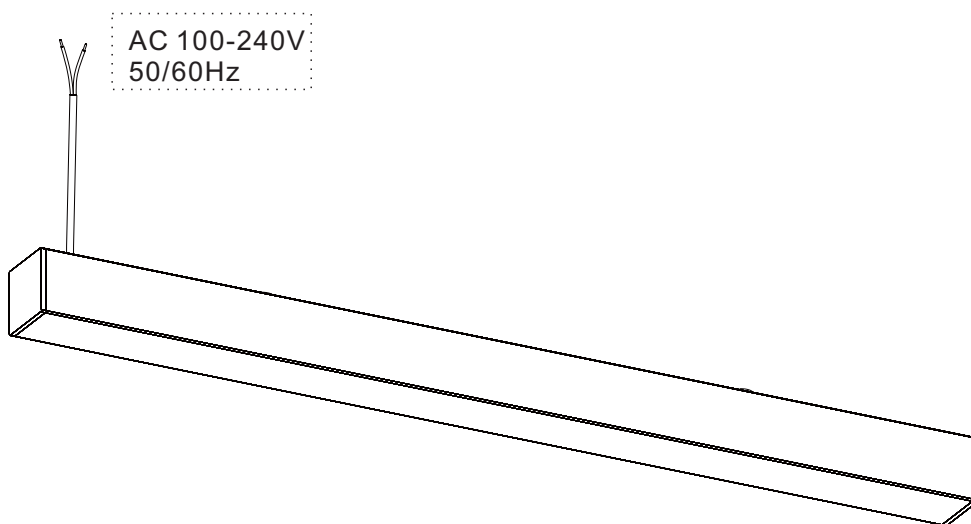
Suitable for hotels, conference rooms, factories, offices, commercial purposes, institution buildings, schools, colleges, universities, hospitals and other places which needs energy saving and high color rendering index lighting.



Dimensions (Unit: mm/inch)



Electrical Connection

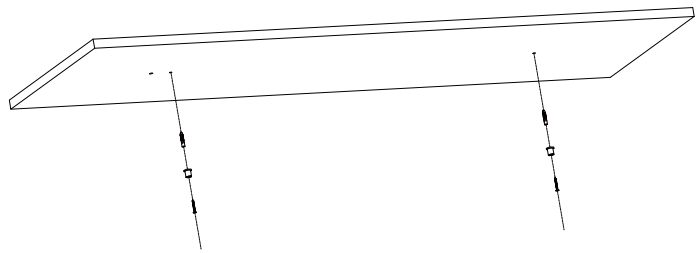
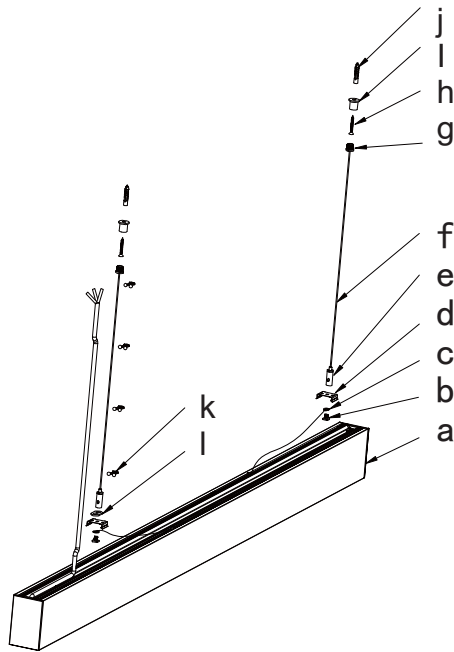


How to install

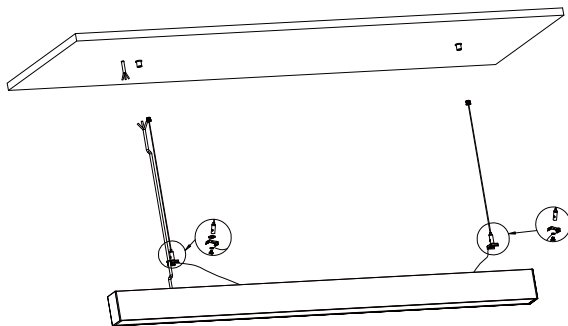
Suspendent installation

Step1:Accessories

a. 10075 lamp 1pcs	b. square-head screw 2pcs	c. safety rope 4pcs	d. clip 2pcs
e. sewing machine 2pcs	f. suspendent rope 2pcs	g. fixing head 1 2pcs	h. 4X30PA screw 2pcs
i. fixing head 2 2pcs	f. rubber plug 2pcs	k. 8-figure buckle 1pcs	l. doubling clamp 4pcs

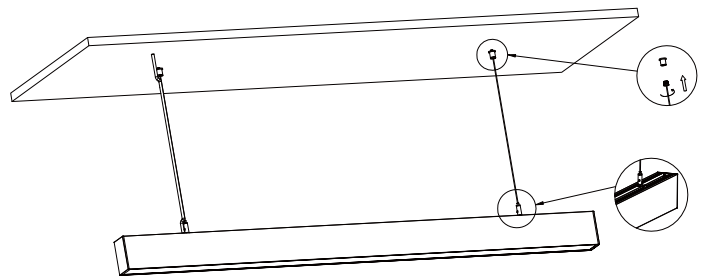


Step2:Drill hole in the ceiling, push the rubber plug into the ceiling, fix the fixing head 2 in the ceiling with 4X30PA screw.



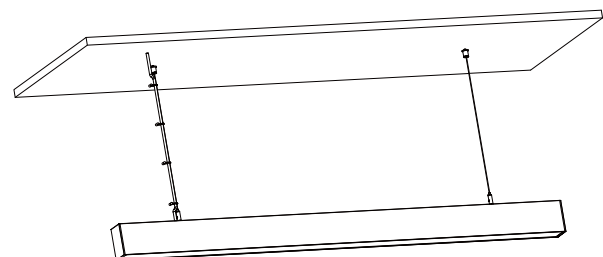
Step3:a. Suspendent method on the left: thread the square-head screw through fixing hole of safety rope, clamp and 8-figure buckle, and fixed with sewing machine;

b. Suspendent method on the right: thread the square-head screw through fixing hole of safety rope, clamp, and fixed with sewing machine.



Step4:a. Suspendent method on the left: thread the power wire through 8-figure buckle fixed on the left, then install the whole set of fixing clip on the lamp;

Step5:fix the fixing head 1 with fixing head 2 tightly, and adjust suspendent rope with sewing machine to balance the lamp, finally connect input wire of lamp;

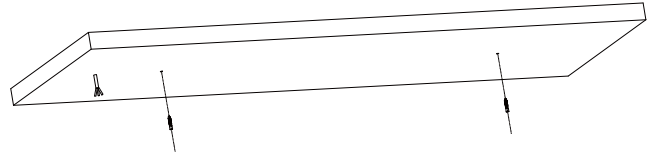
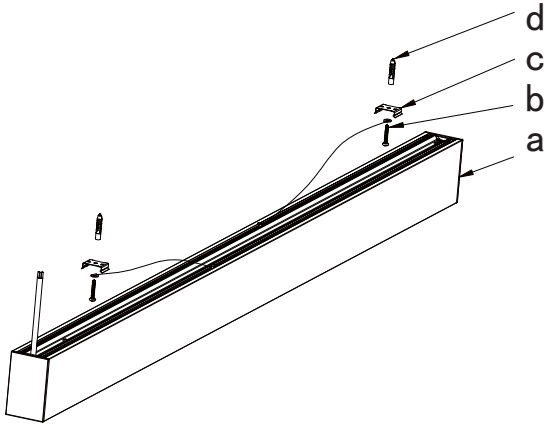


Step5

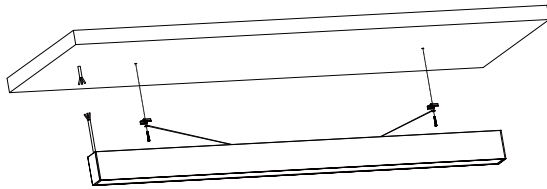
Ceiling installation

Step1:Accessories

a. 10075 lamp 1pcs	b. 4*25PM screw 2pcs	c. clip 2pcs	d. rubber plug 2pcs
--------------------	----------------------	--------------	---------------------



Step2:Drill hole in the ceiling, and push rubber plug into the hole.



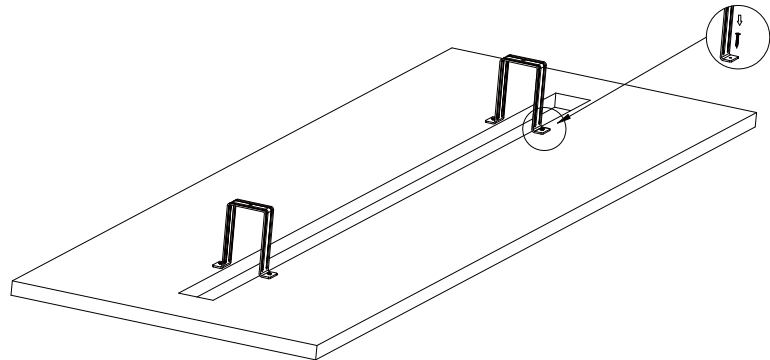
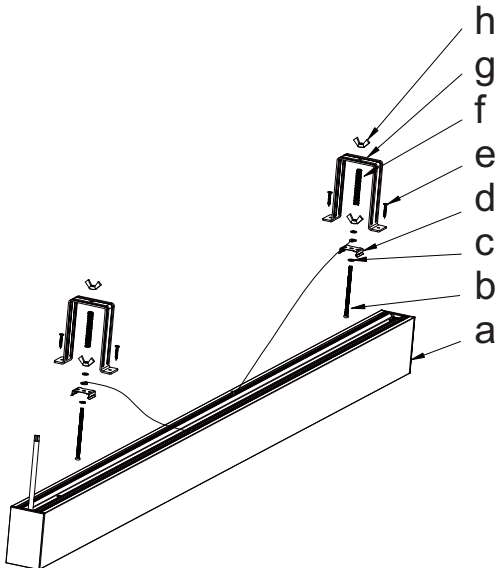
Step3:Thread 4X25PA screw through fixing hole of safety rope and clip, finally fix 4X25PA screw and rubber plug tightly.

Step4:Connect input wire of lamp and install the lamp on the clip.

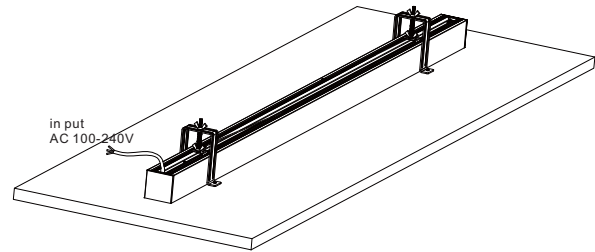
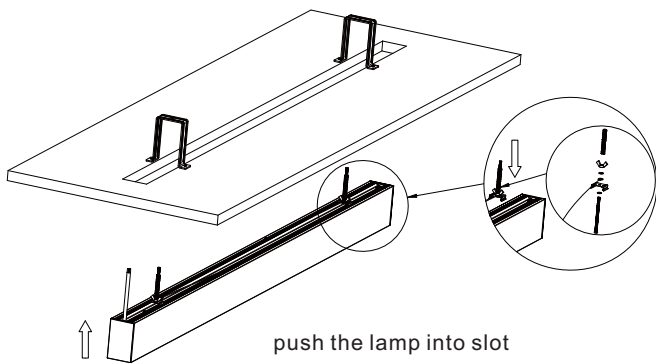
Embedded Installation

Step1:Accessories

a. 10075 lamp 1pcs	b. 4*70PM screw 2pcs	c. gasket 4pcs	d. clip 2pcs
e. 3*20PA screw 4pcs	f. spring 2pcs	g. embedded bracket 2pcs	h. M4 nut 4pcs



Step2:Slot in the ceiling, the slot dimension is L1205*W51mm, and fix the embedding bracket with3X20PA screws.



Step3. Install and fix gasket, clip , safety rope according order in above figure with 4X70PM screws and M4 nut; install the spring on 4X70PM screw, then snap the whole set of fixing clips into lamp, finally push the lamp into slot.

Step4: Fix lamp with M4 nut and 4X70PM screw, and adjust the M4 nut to align the lamp luminous face of lamp with ceiling, finally connect lamp with input wire.

Product packaging information:

20W	40W	50W
<ul style="list-style-type: none"> ● Net weight/PC: 1.22kg ● Embedded gross weight/CTN: 22.54kg ● Ceiling gross weight/CTN: 19.66kg ● Suspended gross weight/CTN: 20.38kg ● Inner size: 676X130X106mm ● Carton size: 690X534X336mm ● 1pcs/inner box, 12 inner boxes/carton. 	<ul style="list-style-type: none"> ● Net weight/PC: 2.21kg ● Embedded gross weight/CTN: 20.84kg ● Ceiling gross weight/CTN: 17.96kg ● Suspended gross weight/CTN: 18.68kg ● Inner size: 1274X130X106mm ● Carton size: 1288X404X230mm ● 1pcs/inner box, 6 inner boxes/carton 	<ul style="list-style-type: none"> ● Net weight/PC: 2.58kg ● Embedded gross weight/CTN: 24.6kg ● Ceiling gross weight/CTN: 21.72kg ● Suspended gross weight/CTN: 22.44kg ● Inner size: 1544X120X100mm ● Carton size: 1580X413X230mm ● 1pcs/inner box, 6 inner boxes/carton

! Notice

1. Please read the specification first, to make sure the service environment matches the condition in the specification before using.
2. Please confirm the applicable power supply before using.
3. Make sure the switch of product is off before connect to the power supply to prevent electric shock.
4. Operation against rules may damage your property even harm to your personal safety.
5. Preliminarily estimate required quantity of LED linear lights, then according to the power rating of single linear light to figure out the total power and design power supply plan.
6. Dangerous high voltage, Non-professionals are not allowed to maintain the products.
7. If the exterior flexible cable or wire is damaged, it must exchange by the supplier, its agent or other similar qualified personnels to avoid dangers.