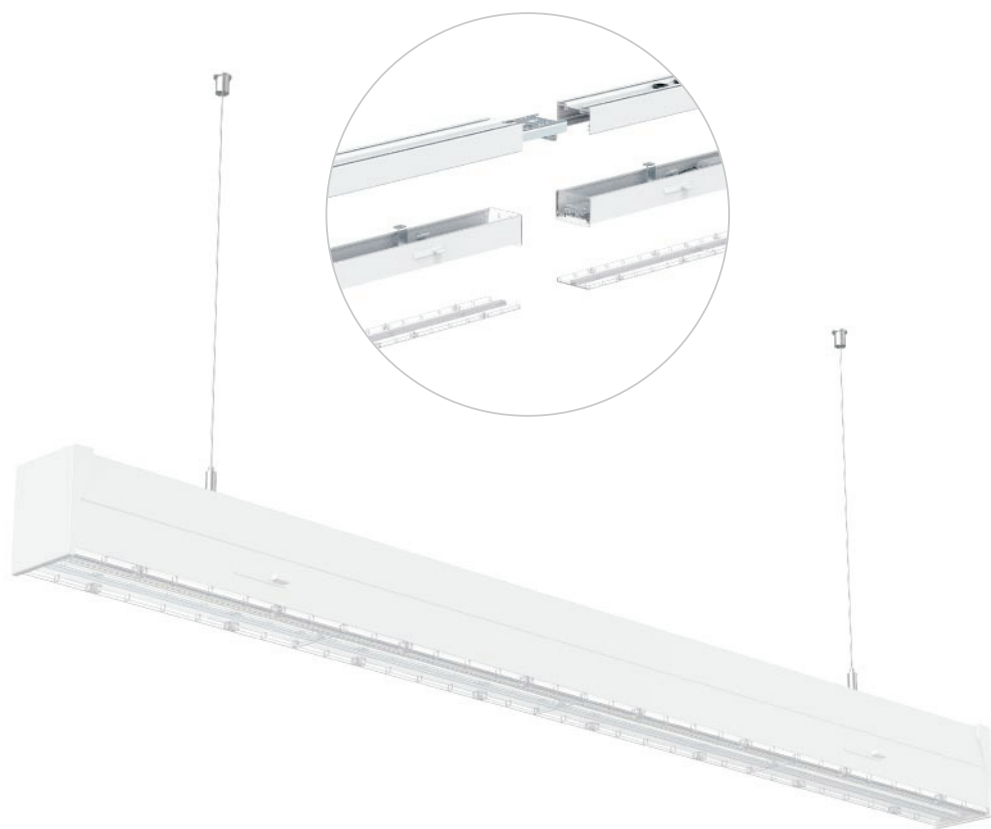


LED Linear Light

SL9070 in single run (0-10V Dimming)



Application:

Commercial and industrial lighting places, for example: supermarkets, shopping mall, parking lot, warehouses, workshops, fairs and so on.

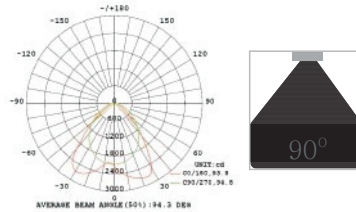


Features

1. seamless continuous connection without any gap when input voltage is AC277V, Max3600W(350feet) can be connected; when input voltage is 110V, Max1500W(150feet) can be connected.



2. Special optical design, 90 degree beam angle, UGR less than 19



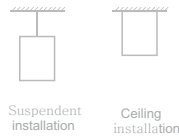
3. the trunking rail with built-in connection accessories, to connect the electrical parts and structure.



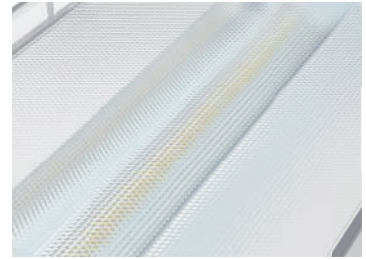
4. Three colors of lamp body, with black and grey.



5. Two installation methods, ceiling and suspending .



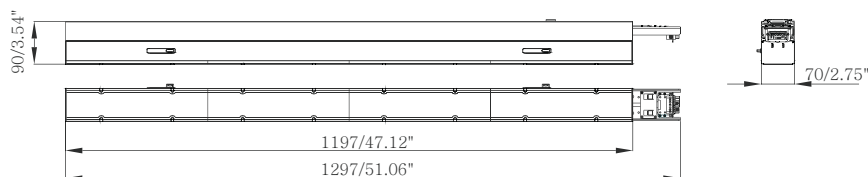
6. high lumen lighting efficiency up to 150LM/W.



Specifications

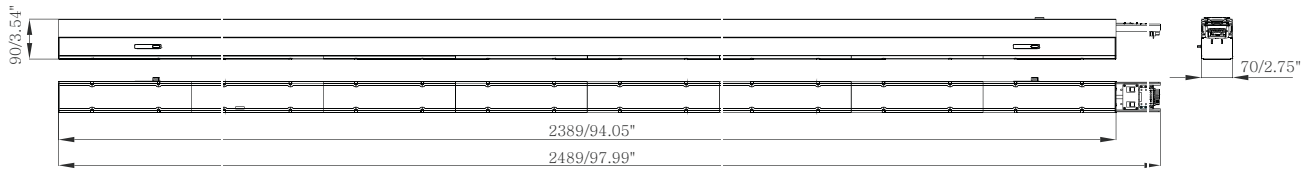
Model	CCT	LED Type	LED pcs	Lumen(lm) (±10%)	Power(W) (±10%)	Length(feet)	Voltage (V)	Dimming Optional	Pre-wired
LN-SL9070-040-AW-A02-CW	5000K	2835	252	6105 lm	40W	4	100-277VAC 50/60HZ	0-10V dimming	5 wires, 14AWG copper core,L,N,G, DIM+,DIM-
LN-SL9070-040-AW-A02-NW	4000K		252	5810 lm	40W	4			
LN-SL9070-040-AW-A02-WW	3000K		252	5530 lm	40W	4			
LN-SL9070-075-AW-A02-CW	5000K	2835	336	12200 lm	75W	8			
LN-SL9070-075-AW-A02-NW	4000K		336	11600 lm	75W	8			
LN-SL9070-075-AW-A02-WW	3000K		336	11060 lm	75W	8			
Beam angle	Energy saving	PF	CRI	IP	Life span	Lamp material			
90	90%	>0.95	80	IP40	30000hrs	Aluminum alloy+PMM			

Dimensions(Unit:mm/inch)



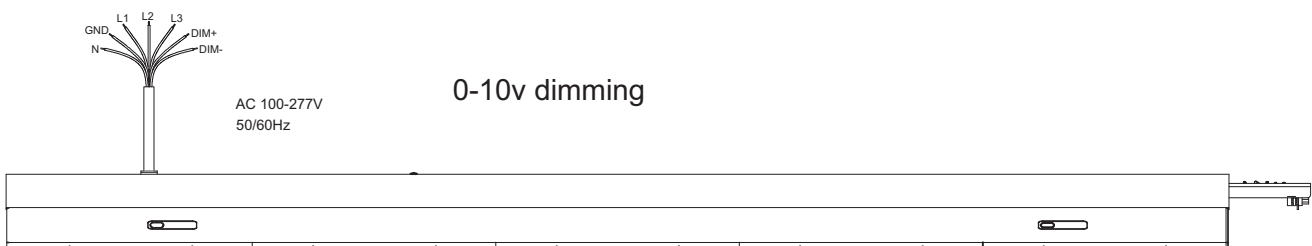
All dimension tolerance is ±1mm unless otherwise noted.

Dimensions(Unit:mm/inch)



All dimension tolerance is $\pm 2\text{mm}$ unless otherwise noted.

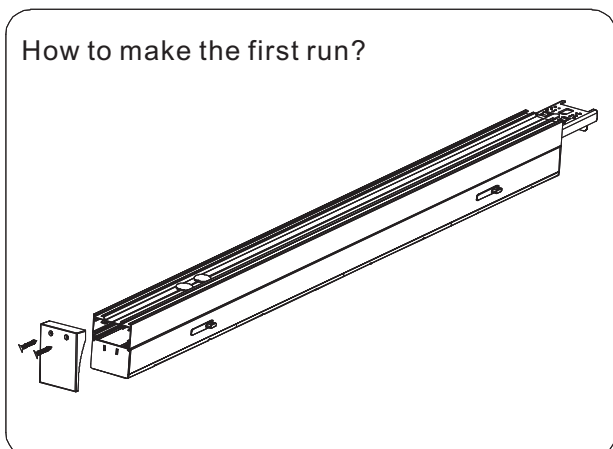
Electrical Connection



How to install

1. Power off before installation
2. First confirm the installation position of lamp, ensure the installation ceiling can endure lamp weight; then fix accessories reliably in the ceiling and assemble another end of suspended components, finally clamp the assembled with assembled accessories.
3. Connect the lamp wire to matched power wire, and seal the joint with insulation.
4. The height between lamp and ceiling can be adjusted via locking wire, finally confirm the lamp won't loosen and drop;
5. When it is connected to end, the jointing connector needs to be pushed into lamp, and cover the end with metal side cover

Installation instruction



Firstly, make the AC wiring connection according to the steps below for the continuous connection for the firstly run, and fix the end cap at the first run with screws.

How to make the last run?

Step one:
1. pull the decoration buckle out.
2. Rotate rotation handle clockwise.
3. Split the lamp body into two parts.

How to make the last run?

Step two:
1. Loosen the screws of stator, and take out the stator.
2. Loosen the screws of the inner connector.
3. Push the connector into lamp and fix the connector with screws.

How to make the last run?

Step three:
1. Fix the connector of lamp body onto trunking rail.
2. Knock the lamp body and trunking rail by the rotation handle.
3. install the decoration buckle.

How to make the last run?

Step four:
Fix the end cap to the lamp by screws, installation finished.

Suspendent Installation Instructions

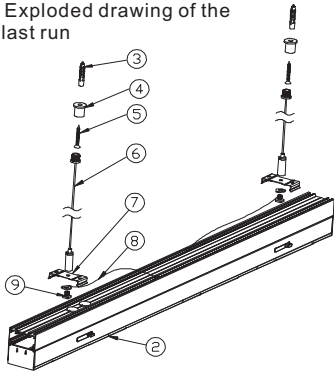
1. Exploded drawing of the first run

BOM	
1. 9070 inlet end cap	1pc
2. 9070 lamp	1pc
3. connector	1pc
4. rubber plug	2pcs
5. fixing head	2pcs
6. 4X30PA screw	2pcs
7. suspent rope	2pcs
8. clamp	2pcs
9. safety rope	2pcs
10. square screw	2pcs

2. Exploded drawing of the middle run

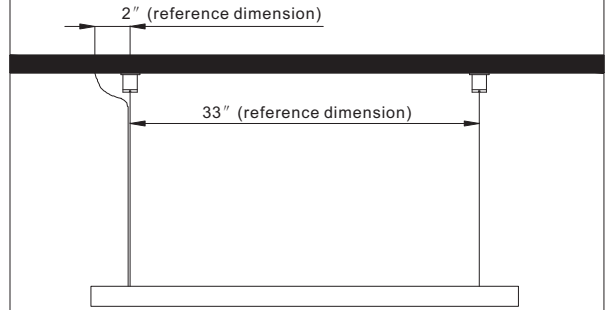
BOM	
1. 9070 lamp	1pc
2. rubber plug	2pcs
3. fixing head	2pcs
4. 4X30PA screw	2pcs
5. suspent rope	2pcs
6. clamp	2pcs
7. safety rope	2pcs
8. square screw	2pcs

3. Exploded drawing of the last run

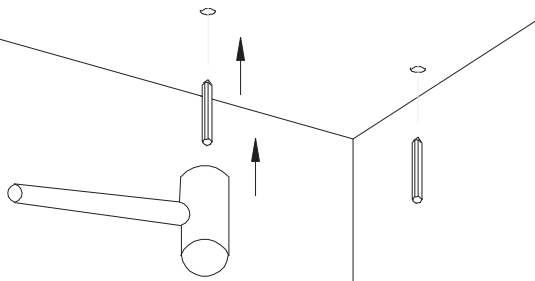


BOM	
1. end cap of 9070	1pc
2. 9070 lamp	1pc
3. rubber plug	2pcs
4. fixing head	2pcs
5. 4X30PA screw	2pcs
6. suspender rope	2pcs
7. clamp	2pcs
8. safety rope	2pcs
9. square screw	2pcs

4. Installation diagram

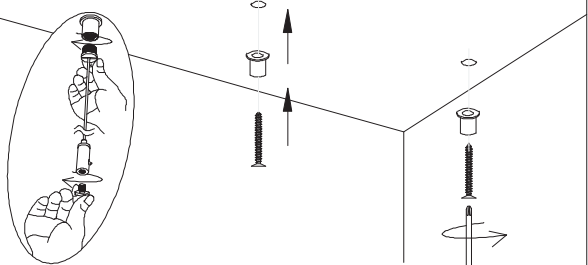


5. Drill hole



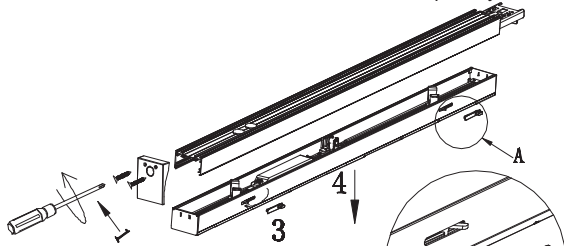
Drill hole according to corresponding dimension, and hammer the rubber plug into hole.

6. Disassemble pendant rope and fasten fixing head of pendent rope



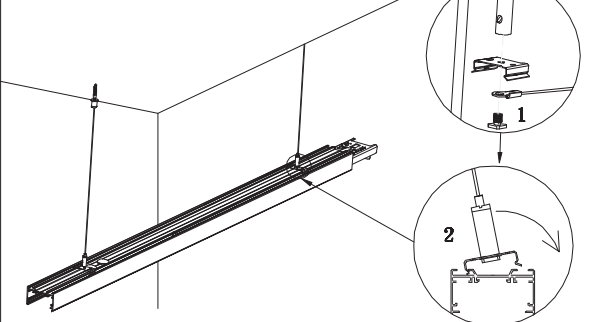
1. Counterclockwise rotate and dismantle fixing head and square screw by hand;
2. Thread the fixing head through pendant rope, and fasten the fixing head of pendant rope in the plastic anchor with screw driver.

7. Installation of the first run-disassemble lamp body



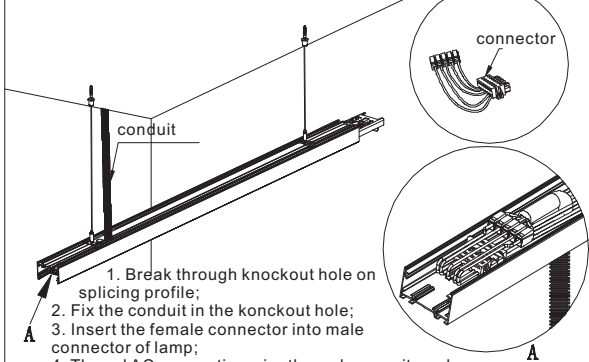
1. loose the screws on the side of end cap with screwdriver;
2. Pull decoration buckle out;
3. Rotate rotation handle clockwise;
4. Disassemble the lamp body into two parts.

8. Install splicing profile of the first run



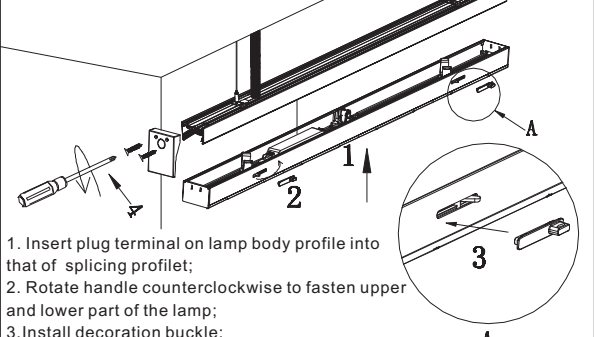
1. Thread square-head screw through fixing hole of safety rope, clamp, then fasten it with wire lock;
2. Snap the clamp into profile slot.

9. Connect the input cable



1. Break through knockout hole on splicing profile;
2. Fix the conduit in the knockout hole;
3. Insert the female connector into male connector of lamp;
4. Thread AC connecting wire through conduit, and respectively connect N,GND,L, DIM+,DIM- of connector.

10. Install lamp body profile of the first run



1. Insert plug terminal on lamp body profile into that of splicing profile;
2. Rotate handle counterclockwise to fasten upper and lower part of the lamp;
3. Install decoration buckle;
4. Install lamp end cap, and tighten the screws on the side of end cap.

11. Install lamp body of the middle run

splicing N run

1. Install ceiling lamp into profile slot of the middle run lamp;
2. Insert female connector of the first middle run into the male connector of the first run ; and insert female connector of the next middle run into male connector of previous middle run.
3. Splicing quantity
When input voltage is 110V, $N \cdot P < 1500W$
When input voltage is 277V, $N \cdot P < 3600W$
N is total run, and P is power of single lamp

12. Install lampbody of the end run

1. Snap the clamp of suspended rope into slot of lamp profile;
2. Insert female connector of end run into male connector of previous run.

Ceiling Installation Instructions

1. Exploded drawing of the first run

BOM	
1. inlet end cap of 9070	1pc
2. 9070 lamp	1pc
3. connector	1pc
4. rubber plug	2pcs
5. clamp	2pcs
6. safety rope	2pcs
7. 4X30PA screw	2pcs

2. Exploded drawing of the middle run

BOM	
1.9070 lamp	1pc
2.rubber plug	2pcs
3.clamp	2pcs
4.safety rope	2pcs
5.4X30PA screw	2pcs

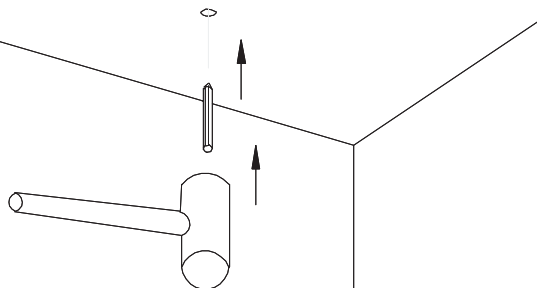
3. Exploded drawing of the last run

BOM	
1. end cap of 9070	1pc
2. 9070 lamp	1pc
3. rubber plug	2pcs
4. clamp	2pcs
5. safety rope	2pcs
6. 4X30PA screw	2pcs

4. Installation diagram

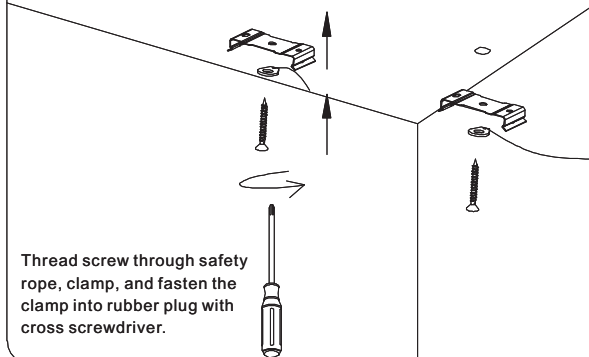
33" (reference dimension)

5. Drill hole



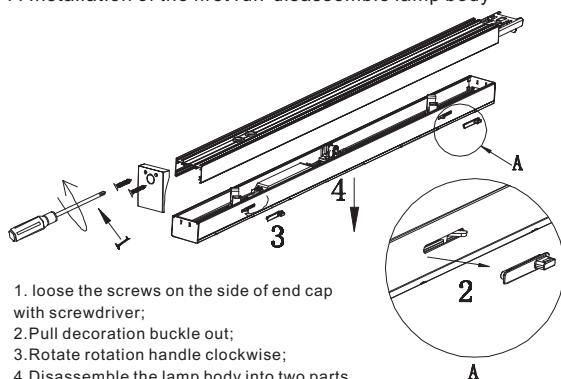
Drill hole according to corresponding dimension, and hammer the rubber plug into hole

6. Fixing clamp



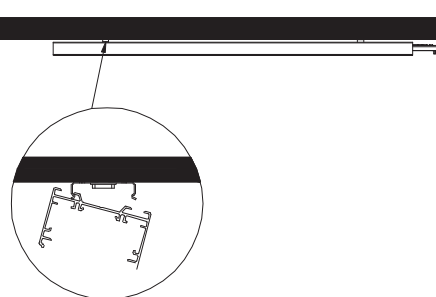
Thread screw through safety rope, clamp, and fasten the clamp into rubber plug with cross screwdriver.

7. Installation of the first run-disassemble lamp body



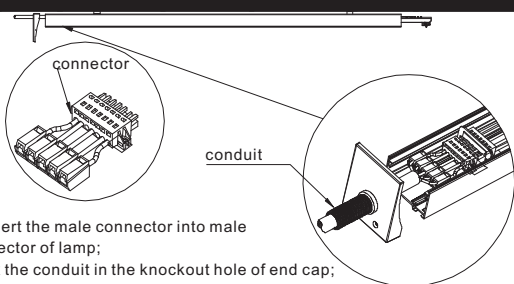
1. loose the screws on the side of end cap with screwdriver;
2. Pull decoration buckle out;
3. Rotate rotation handle clockwise;
4. Disassemble the lamp body into two parts.

8. Install splicing profile of the first run



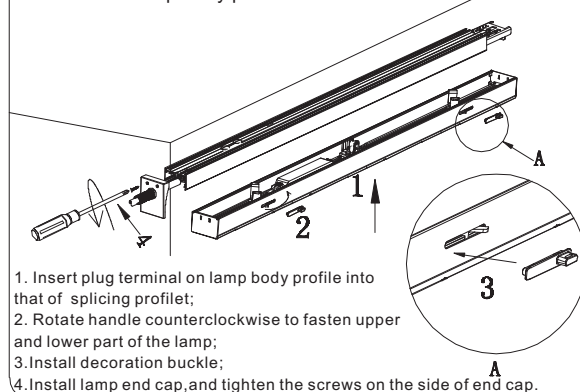
Snap the splicing profile into clamp obliquely

9. Connect the input cable



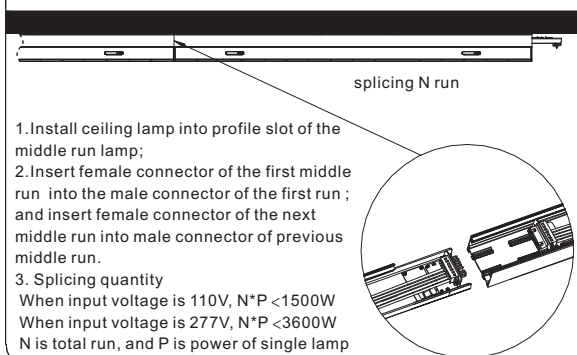
1. Insert the male connector into male connector of lamp;
2. Fix the conduit in the knockout hole of end cap;
3. Thread AC connecting wire through conduit, and respectively connect N, GND, L, DIM+, DIM- of connector.

10. Install lamp body profile of the first run



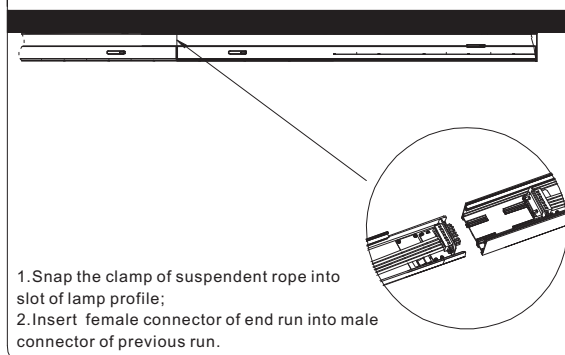
1. Insert plug terminal on lamp body profile into that of splicing profile;
2. Rotate handle counterclockwise to fasten upper and lower part of the lamp;
3. Install decoration buckle;
4. Install lamp end cap, and tighten the screws on the side of end cap.

11. Install lamp body of the middle run



1. Install ceiling lamp into profile slot of the middle run lamp;
2. Insert female connector of the first middle run into the male connector of the first run; and insert female connector of the next middle run into male connector of previous middle run.
3. Splicing quantity
When input voltage is 110V, $N \cdot P < 1500W$
When input voltage is 277V, $N \cdot P < 3600W$
N is total run, and P is power of single lamp

12. Install lampbody of the end run



1. Snap the clamp of suspending rope into slot of lamp profile;
2. Insert female connector of end run into male connector of previous run.

Product packaging information:

1.2m lamp	2.4M lamp
● Net weight/PC:3.8kg	● Net weight/PC: 7.6kg
● gross weight/CTN:28. 6kg	● gross weight/CTN:37.80kg
● Inner size: 1367x108x137mm	● Inner size: 2555x108x137mm
● Carton size: 1387x345x295mm	● Carton size: 2575x236x295mm
● 1pc/inner box, 6 inner boxes/carton	● 1pc/inner box, 4 inner boxes/carton

! Notice

- 1.Please read the specification first,to make sure the service environment matches the condition in the specification before using.
- 2.Please confirm the input voltage, frequency before using .
- 3.The lamp must be installed by professional personnel
4. If there is any damage on the power line or the shell of the product,it should be taken as defective product and do not use it;
- 5.Dangerous high voltage, Non-professionals are not allowed to maintain the products.
- 6.If the exterior flexible cable or wire is damaged, it must be exchanged by the supplier,it's agent or other similar qualified personnel to avoid dangers.