



### Description

Venture Lighting's VWallpax luminaires are low profile, light weight, and designed for long life with low maintenance and great performance. These LED luminaires are designed to quickly and easily upgrade existing wall pack fixtures.

### Construction

Rugged die cast housing finished in a durable powder coat finish and with glass lens. The high performance LED sources are mounted to ensure proper thermal management of the system. The design allows for a cooler running LED chip which leads to longer lifetime, better efficacy, and color consistency and sealed to eliminate the threat of contaminants damaging the components. The standard fixture color is bronze, custom colors available upon request.

### Electrical

The power supply has a range of 120-277V, 50/60 Hz. The luminaires are rated for wet locations. Button photocell accessory can easily be mounted into the fixture. These fixtures are not dimmable.

### Mounting

Each fixture is easily installed to a standard recessed junction box. Knuckle mount conversion kit can be used for flood lighting applications.

DLC® Model# WD1-30AV-CA

### Product Performance

Wattage	30W
Lumens	3150
Correlated Color Temperature (CCT)	5000K
Color Rendering Index (CRI)	80
Lumen Maintenance @50,000 hours*	88%
Calculated L70 @ 25°C Ambient in Hours*	145,000
Replaces HID Wattage	100W
Operating Temperature Range	-40°F to 104°F (-40°C to 40°C)

### Physical Characteristics

Fixture Color	Bronze
Length	7.88"
Width	6.3"
Height	5.5"
Weight	3.6 lbs

### Electrical Characteristics

Amperage Draw (Input Volts/Amps)	120/0.27 208/0.17 240/0.14 277/0.12
Surge Protection	10kA

### Regulatory Qualifications

cETLus Listed

DLC® Qualified - Model# WD1-30AV-CA

Rated for wet locations

### Accessories

PH56903 Button Photocell (120-277V)

KT17837 Knuckle mount conversion kit - bronze color

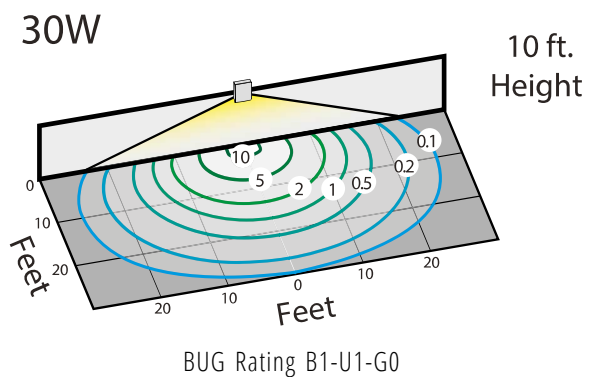
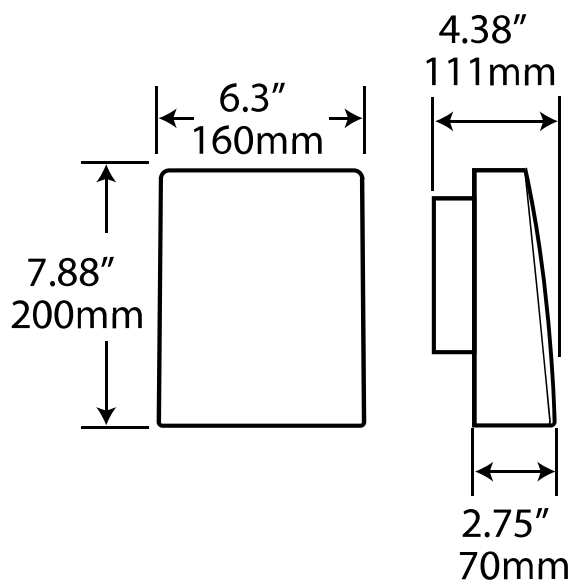
SP12714 - 120-277V Surge Protector

### Notes:

\*Lumen maintenance data is based on LED testing per IESNA LM-80 and projected per IESNA TM-21



# Venture VWallpax - 30W LED Wallpack



(800) 451-2606  
Fax: (800) 451-2605  
7905 Cochran Rd, Suite 300  
Glenwillow, Ohio 44139  
E-mail: [Venture\\_Lighting@VentureLighting.com](mailto:Venture_Lighting@VentureLighting.com)  
[VentureLighting.com](http://VentureLighting.com)

