



Description

Venture Lighting's Modern Highbay luminaires are low profile, durable, and designed for long life and low maintenance. They are designed to quickly and easily upgrade existing H.I.D and fluorescent fixtures.

Construction

The high performance LED source is mounted to an aluminum heat sink which is designed to ensure proper thermal management of the system. This design allows for a cooler running LED chip which leads to longer lifetime, better efficacy, and color consistency. Fixtures are rated for an ambient operating temperature range -30°C to 50°C. Modern high bay luminaires are water and dust resistant, with IP65 rating.

Optics

The 100W units are equipped with a 120 degree beam spread for higher mounting heights and are also field adjustable with an accessory lens.

Electrical

The power supply has a range of 347-480V, 50/60 Hz. 0-10V DC dimming capability is standard. The luminaire is rated for damp and dry locations.

NOTE:

*Lumen maintenance data is based on LED testing per IESNA LM-80-08 and projected per IESNA TM-21-11

DLC Model# HW-100N-BA

Product Performance

Wattage	100W
Lumen Output	12120
Correlated Color Temperature (CCT)	4000K
Color Rendering Index (CRI)	70
Lumen Maintenance @50,000 hours*	92%
Calculated L70 @ 25°C Ambient in Hours*	240,000
Replaces HID Wattage	250W
Spacing Criterion (0-180)	1.3 x mtg height
Spacing Criterion (90-270)	1.3 x mtg height
Beam Angle (°)	120°
Operating Temperature Range	-22°F to 122°F (-30°C to 50°C)

Physical Characteristics

Input Cable Length	5ft.
Safety Cable Length	3ft.
Fixture Color	White
Weight	17.9 lbs
Length	15.1" dia.
Height	10.2"

Electrical Characteristics

Amperage Draw (Input Volts/Amps)	347/0.30 480/0.22
Surge Protection	4kV

Regulatory Qualifications

cULus Listed / DLC Qualified - Model# HW-100N-BA

Accessories

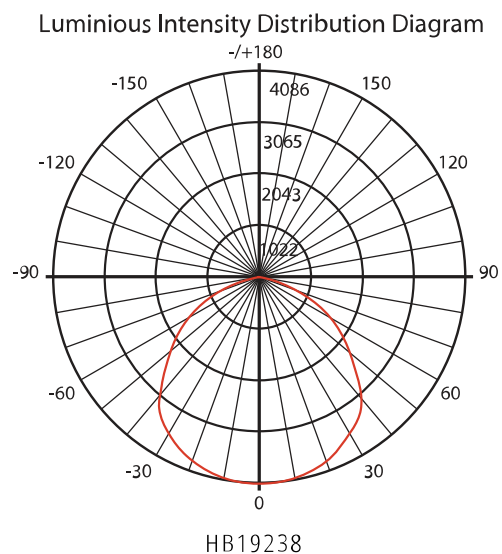
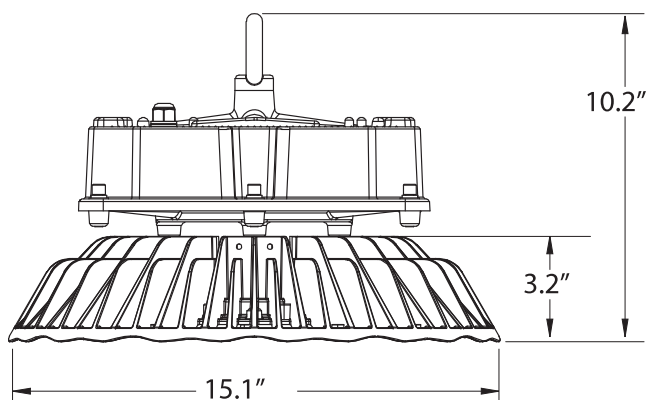
RF13912 - 16.5" Dia. Acrylic Reflector for 100W to 300W Highbay
RF13388 - 15.3" Dia. Alum. Shield for 100 to 300W Highbay (Silver)
LN13632 - 120 Degree Plastic Flat Lens for 100W to 300W Highbay
LN28431 - 50 Degree Lens for 100W-200W Modern HB (except 200W High Temp.)
AC53904 - PENDANT MNT KIT 300W (100-277V), 100-200W (347-480V)
LN13421 - 120 degree Glass lens for 100 to 300W Modern highbays
Add suffix "-S1" to order code for a factory installed fixture with a MOTION ONLY Sensor Part # PH48156
Add suffix "-S2" to order code for a factory installed fixture with a MOTION/DIM/PHOTOCELL Sensor Part # PH52321
Add suffix "-S3" to order code for a factory installed fixture with a WET & LOW TEMP. RATED MOTION ONLY Sensor Part # PH36512
Add suffix "-S4" to order code for a factory installed fixture with a WET & LOW TEMP. RATED MOTION/DIM/PHOTOCELL Sensor Part # PH37415

For factory installed plug options see below

For plug options see accessories tab (NOT FACTORY INSTALLED)



Venture 100W LED Highbay Fixture



RF13912



RF13388



LN13632



LN28431



NEMA L8-20P



S1/S2 Factory Installed Sensor

Plug Options*

Molded Plug Options with 11ft Cable*

"-P4" - NEMA P8-20P for 480V

"-P9-C" - NEMA P8-20P for 480V w/ cable

NOTE: * Add Suffix to Part# for Factory Installed option
Factory installed plug options

(800) 451-2606
 Fax: (800) 451-2605
 2451 Enterprise Parkway East
 Twinsburg, Ohio 44087 USA
 E-mail: venture@adlt.com
VentureLighting.com

