



2x2 Volumetric Troffer

Order Code: TR39826



Description

Venture Lighting's LED Volumetric troffers are durable, long lasting, high quality, low maintenance lighting fixtures. Each are designed to be quick and easy upgrades to existing fluorescent fixtures.

Construction

The housing unit is constructed from heavy-duty aluminum. Fixtures are finished with a durable white polyester powder coating.

Electrical

The power supply has a range of 120-277V, 50/60 Hz. 0-10V dimming is standard. Rated for dry and damp locations.

Mounting

The fixture is designed for replacing fluorescent fixtures in T-grid drop ceiling applications.

DLC Model# TB22-26NA-01

Product Performance

Wattage	26W
Lumen Output	3275
Correlated Color Temperature (CCT)	4000K
Color Rendering Index (CRI)	80
Life Hours	50,000
Replaces Fluorescent Troffer	2x2
Operating Temperature Range	-13°F to 113°F (-25°C to 45°C)

Physical Characteristics

Fixture Color	White
Weight	8.4 lbs
Width	23.7"
Length	23.7"
Height	2.7"

Electrical Characteristics

Amperage Draw (Input Volts/Amps)	120/0.23 208/0.14 240/0.12 277/0.10
----------------------------------	-------------------------------------

Regulatory Qualifications

cULus Listed, IC-Rated, Rated for dry and damp locations

DLC Model# TB22-26NA-01

Accessories

BB23468 – LED Fixture Battery Back-up

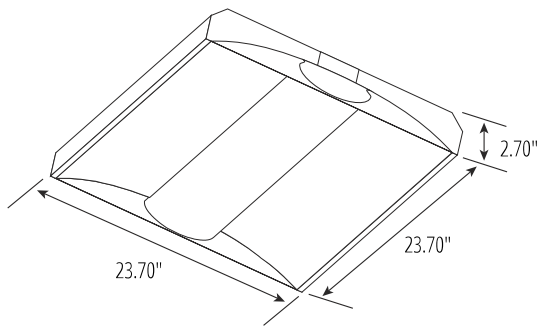
For a factory installed Battery Backup add "EM" after order code (Lumens: 2530) - Temp Range: (0-50°C)†

LN17209 Replacement lens 2x2 Volumetric troffer

NOTE: †Operating temperature range for Battery Backup



Venture 2x2 Volumetric Troffer



(800) 451-2606
Fax: (800) 451-2605
2451 Enterprise Parkway East
Twinsburg, Ohio 44087 USA
E-mail: venture@adlt.com
VentureLighting.com

