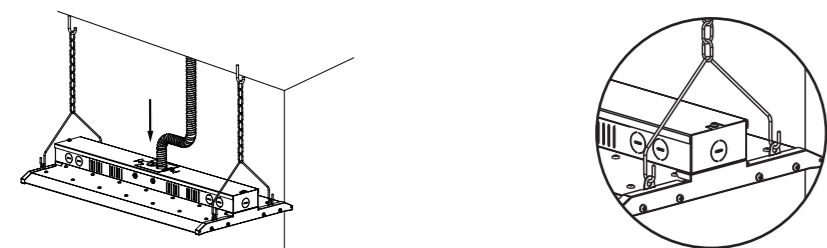


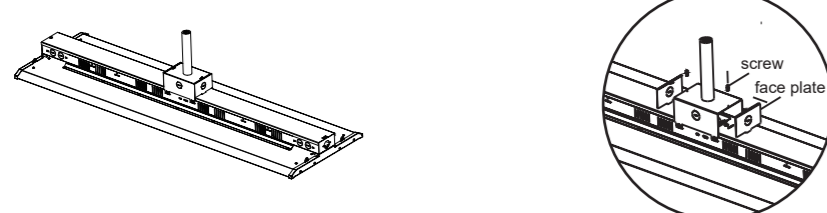
• Please read instruction before commencing installation and retain for future references. Electrical products can cause death or injury, or damage to property. If in any doubt about the installation or use of this product, consult a competent electrician.

Part No.	Power	Input Current	Input Voltage	Frequency	PF	THD	Luminous Flux	CCT	Ra	Life Span	Warranty
VO-LHW160FT2-347-3WAY-D	80W 110W 160W	1.467A					24000lm				
VO-LHW220FT4-347-3WAY-D-S	110W 160W 220W	2.017A					33000lm				
VO-LHW220FT4-347-3WAY-D	110W 160W 220W	2.017A	AC120-347V	50/60Hz	>0.9	<20%	33000lm	3500K 4000K 5000K	80	50,000h	5 years
VO-LHW300FT4-347-3WAY-D-S	160W 220W 300W	2.75A					45000lm				
VO-LHW300FT4-347-3WAY-D	160W 220W 300W	2.75A					45000lm				

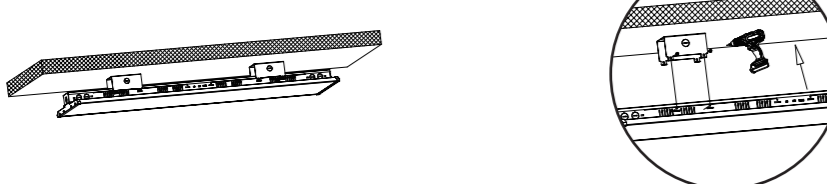
Chain Installation



Pendant Mount Installation

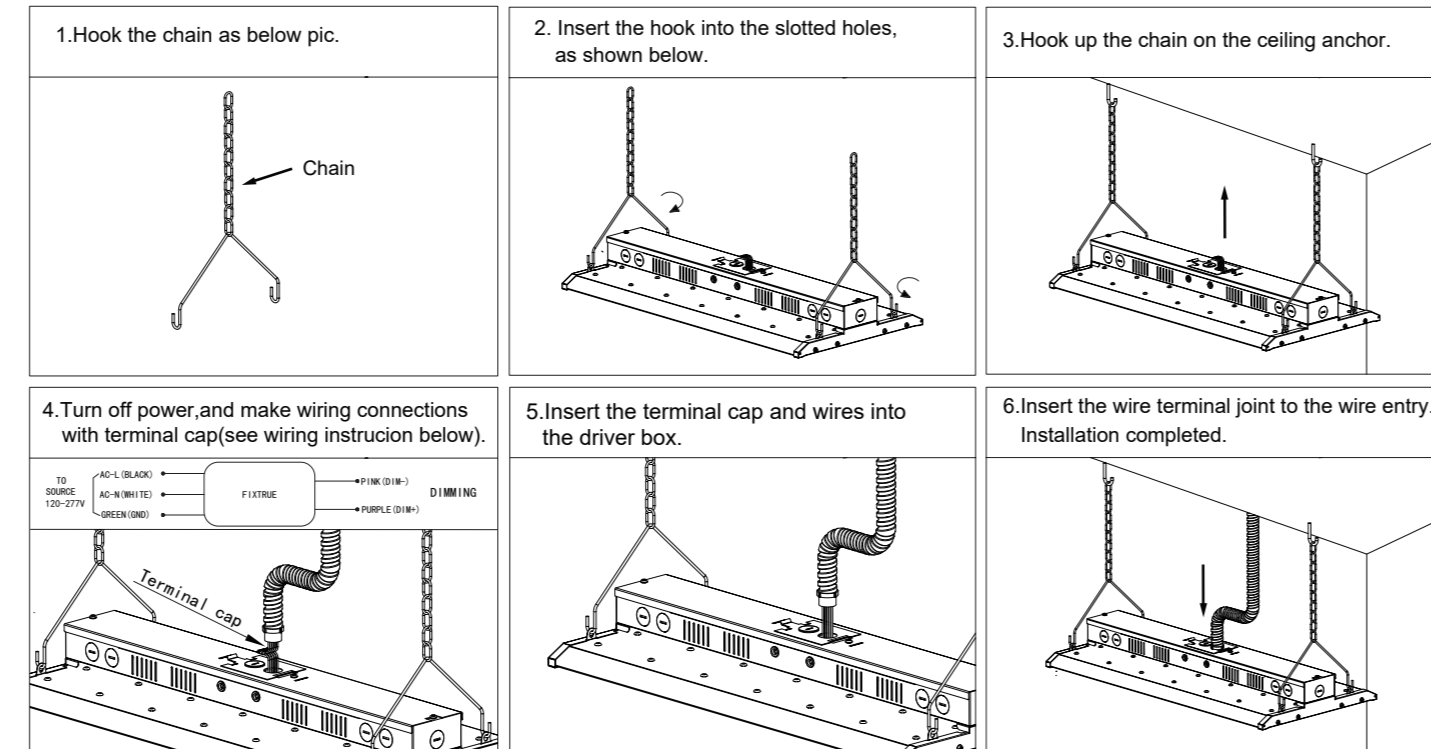


Surface Mount Installation

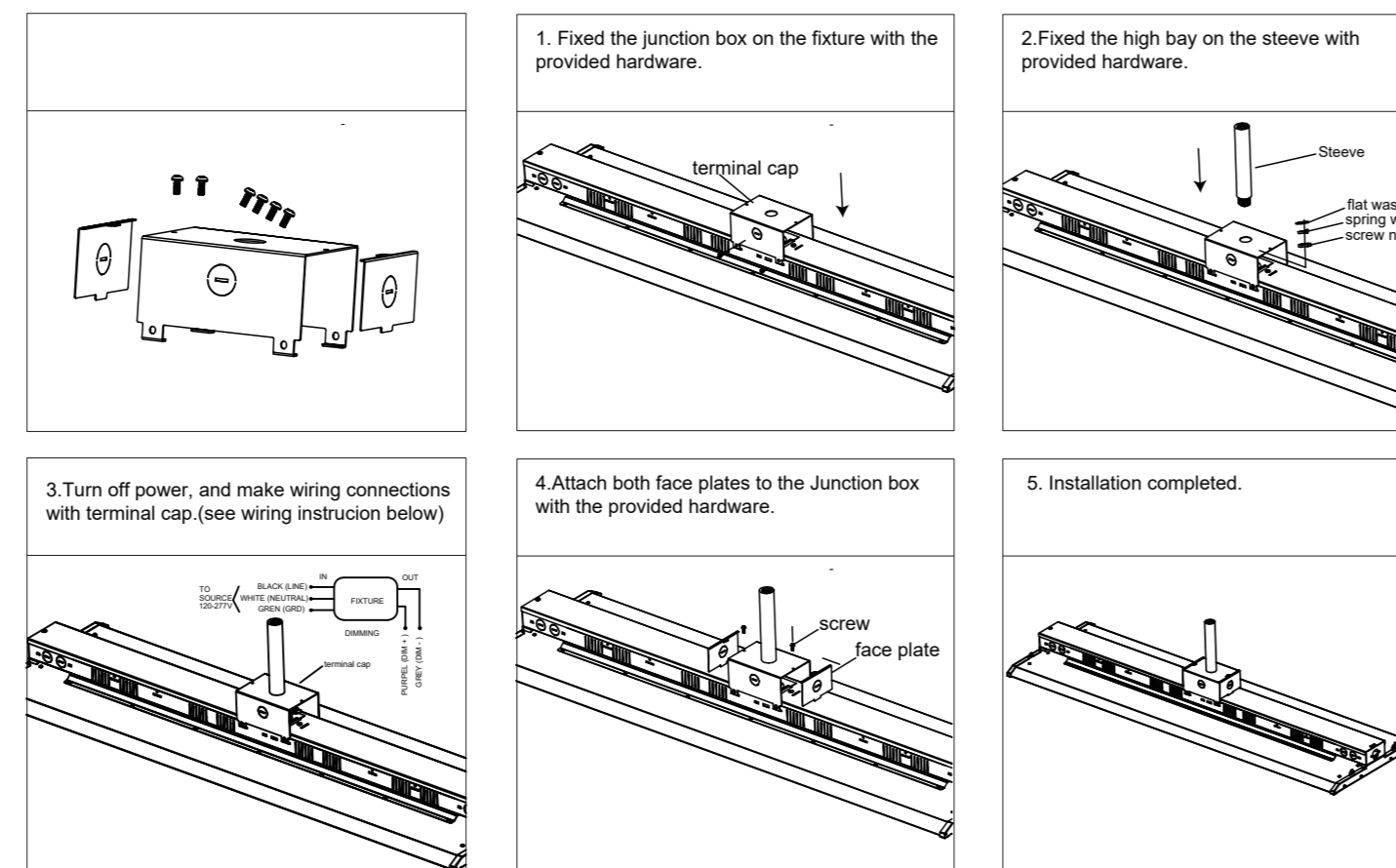


Installation Guide

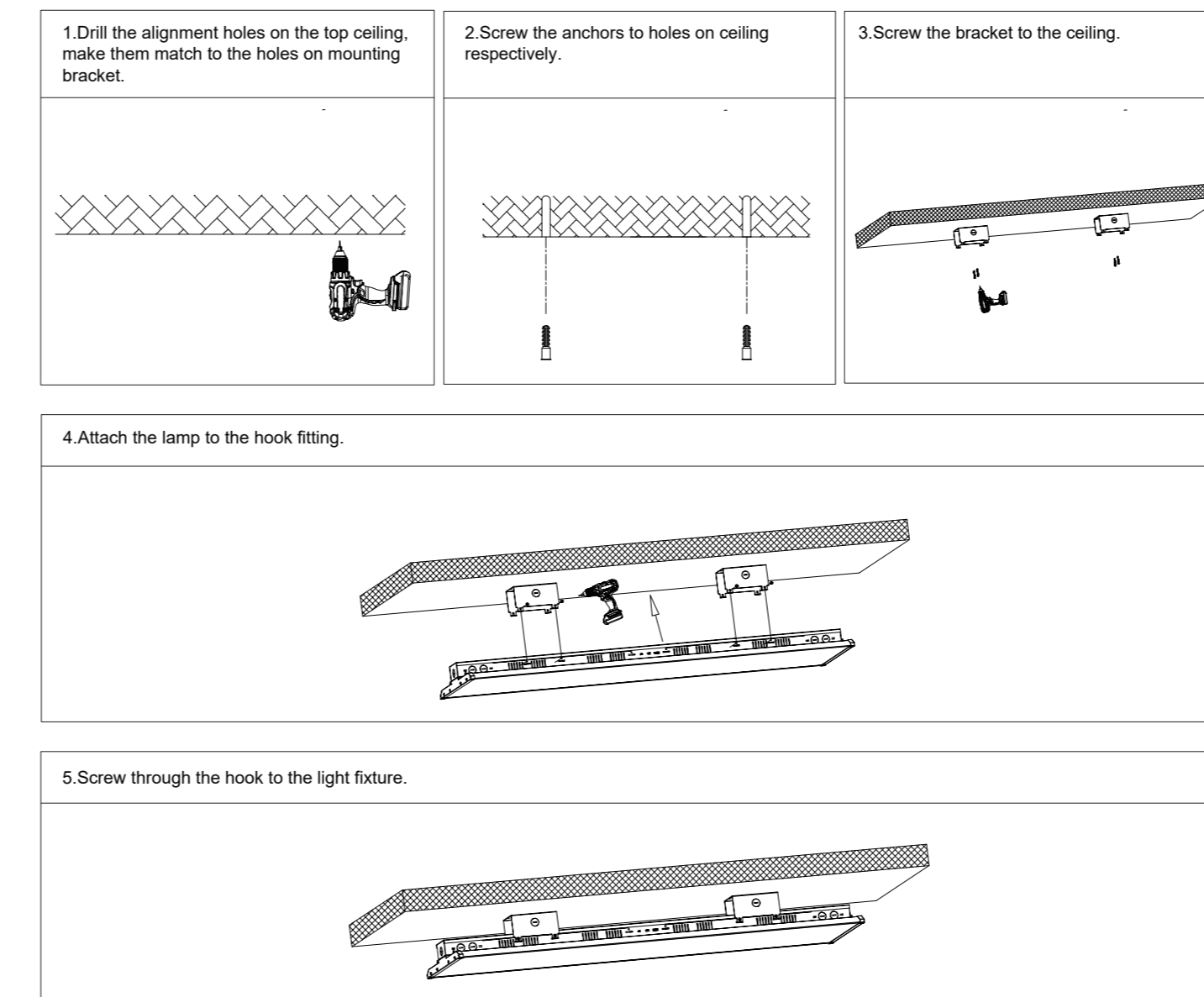
Chain Installation



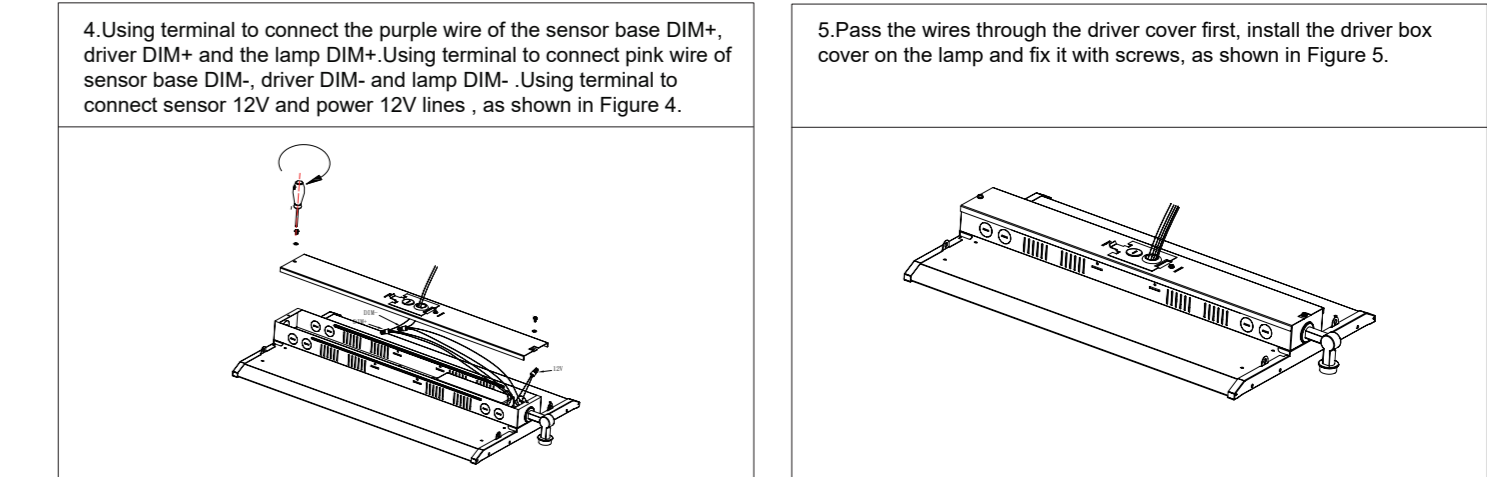
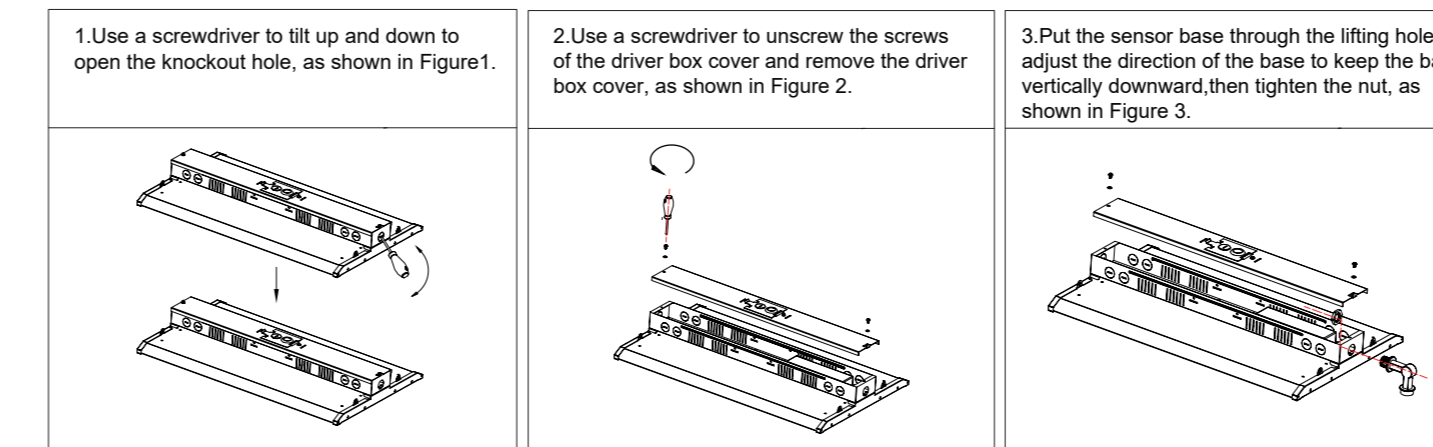
Pendant Mount Installation



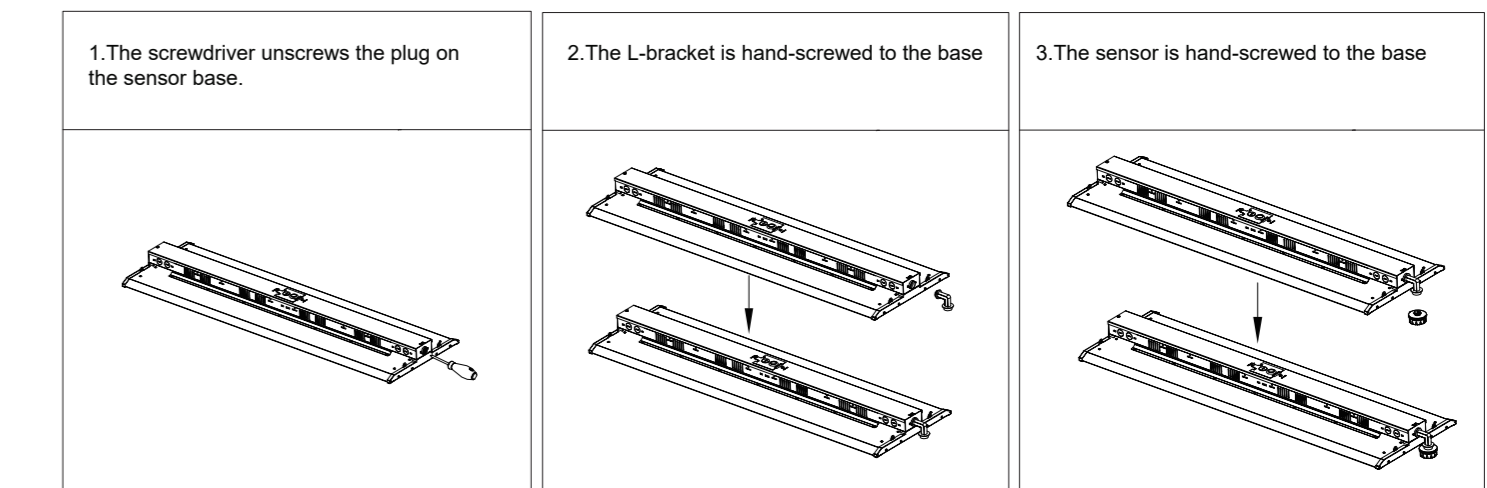
Surface Mount Installation



Sensor Base Installation



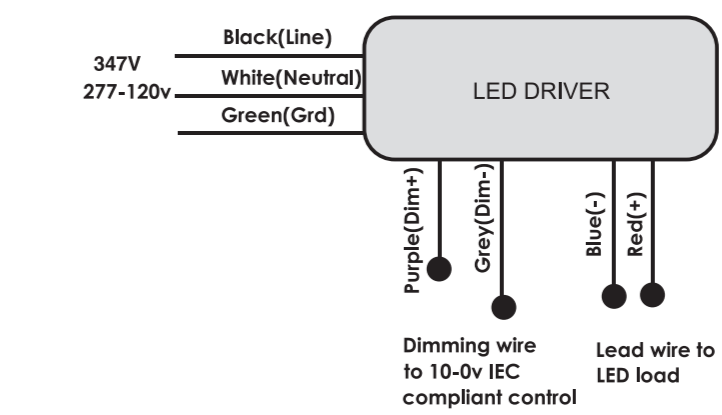
Sensor Installation Installation



Note:

- The installation and maintenance must be completed by electricians or professionals.
- Please cut off the power before installation and maintenance.
- The thermally insulating material is not allowed to cover the fixture.
- Please keep away from the corrosive substance, and keep the fixture dry and clean.
- Working temperature: -4°F~104°F, storage temperature: -22°F~140°F.

General Wiring Diagram



The installation must be carried out by a qualified electrician.