

## Slim LED Area Light (Dimmable)



### Specifications

Model	HL-PL10W5000KXXYYZ3 HL-PL10W5000KBXXYYZ3	HL-PL15W5000KXXYYZ3 HL-PL15W5000KBXXYYZ3	HL-PL24W5000KXXYYZ3 HL-PL24W5000KBXXYYZ3	HL-PL30W5000KXXYYZ3 HL-PL30W5000KBXXYYZ3
Lumen Output	14000LM	21000 LM	33600LM	42000LM
CCT	4000K/5000 K			
CRI	>80Ra			
EPA	0.23ft <sup>2</sup>			
Light Source	Lumileds			
System Watts	100W	150W	240W	300W
Dimensions(mm)	428x304x88mm		595x304x92mm	
Input Voltage	120-277V 200-480V			
Power Factor	0.95			
THD	<15%			
Driver	Meanwell, SOSEN			
Operating Temp Range	-30°C to +50°C			
IP Rating	IP66			
Dimming Control (Optional)	1-10V			
Life Span	L70, >120000h			
Light Distributor Options	Type5-M			
Certification	UL, CE, SAA, DLC			

### PC Lens is Easy to Replace

Modular design, large, medium and small size, uniform PC lens, easy to replace.

### Pole Mount

This pole mount was designed to complement the fixture's aerodynamic shape. By future reducing the fixture's drag, this product is suitable for harsher environments.

### Integrated Heatsink

Integrated cooling fin provides excellent thermal dissipation. this design allows the fixture to have extremely long lifetime hours.

### Door Frame

The door frame is designed with the installer in mind. It has a simple to use hinge access so allowing installers to be hands-free when entering electrical compartment. This saves time and money.

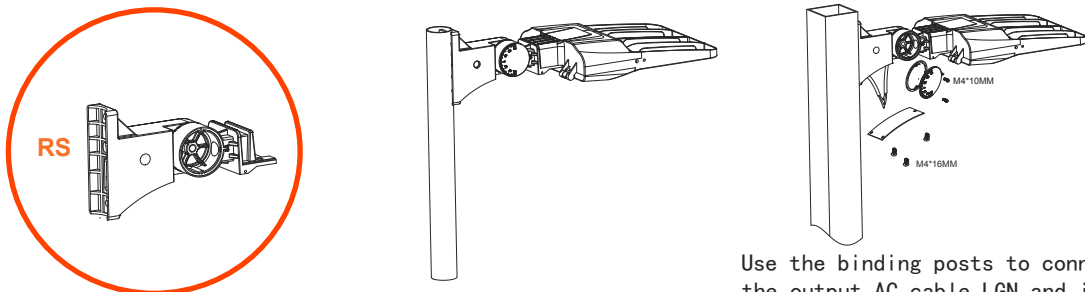
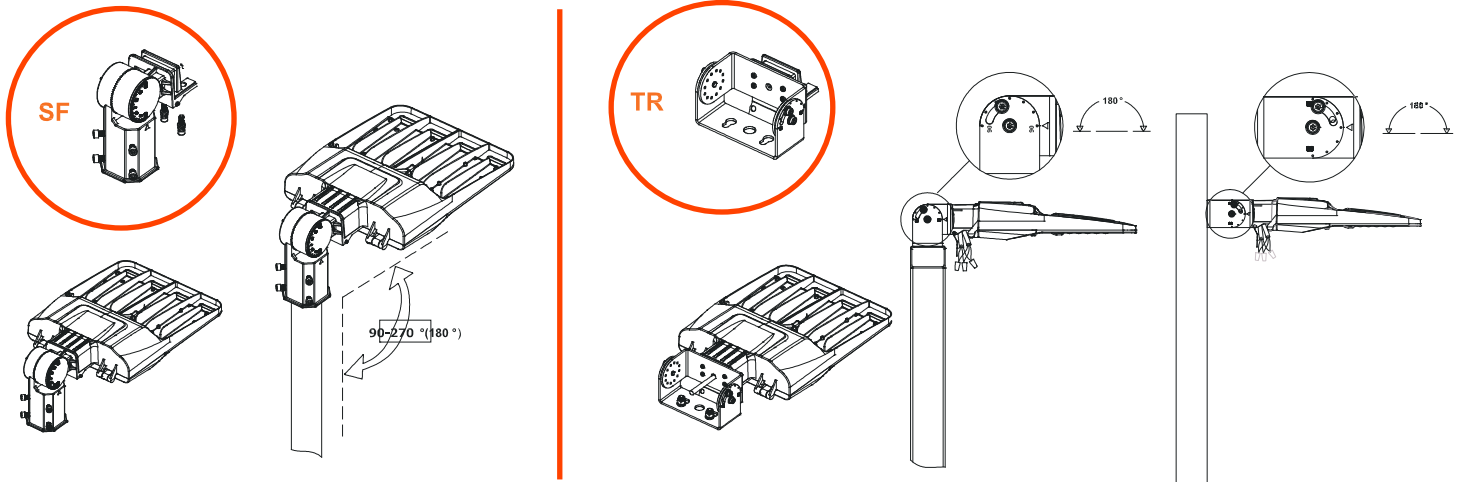


### Applications



## Optional Installation

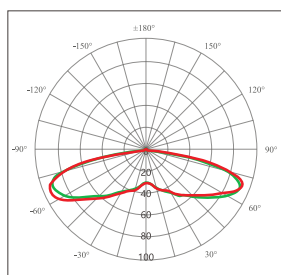
Compared with the existing technology, the lighting module is installed on the bracket, and has the advantages of safety and reliability, and does not fall off. When the LED area light lamp is installed in an illuminated module, the fastening bolt(fastening connector) at both ends of the lighting module can play the role of self locking and push, and can ensure that the lighting module is not slipped from the support. The limitation of the general bracket opening can be solved, and the specific use occasions of the LED area light lamp can be eddetively extended.



Use the binding posts to connect the output AC cable LGN and input cable LGN, then install the bracket cover.



## Photometric Diagrams



Type5-M

## Effective Projected Area

EPA(Sq.Ft.)	Configuration	Weight(Lbs.)
0.55	1	8.50
1.10	2@180	17.00
0.95	2@90	17.00
1.50	3@90	25.50
1.74	3@120	25.50
1.74	4@90	34.00