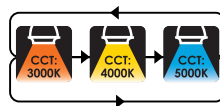
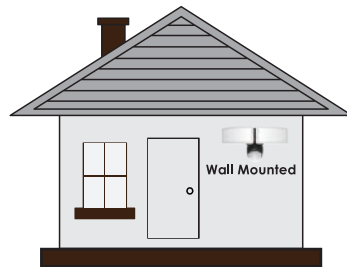
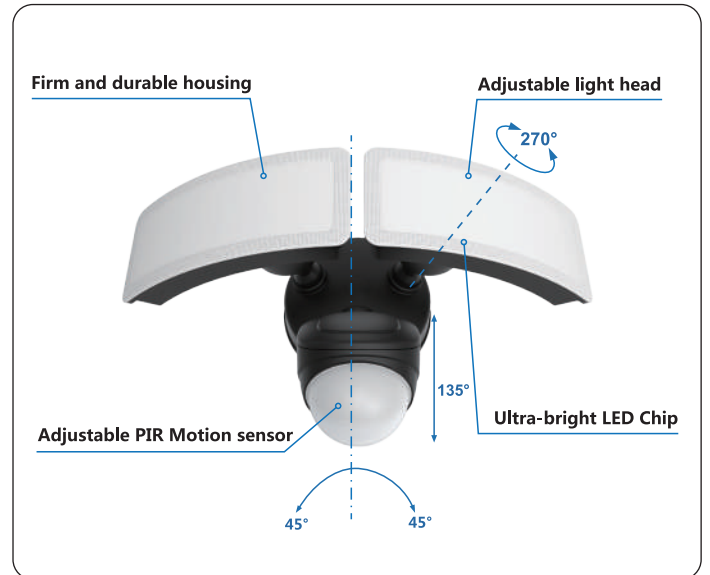
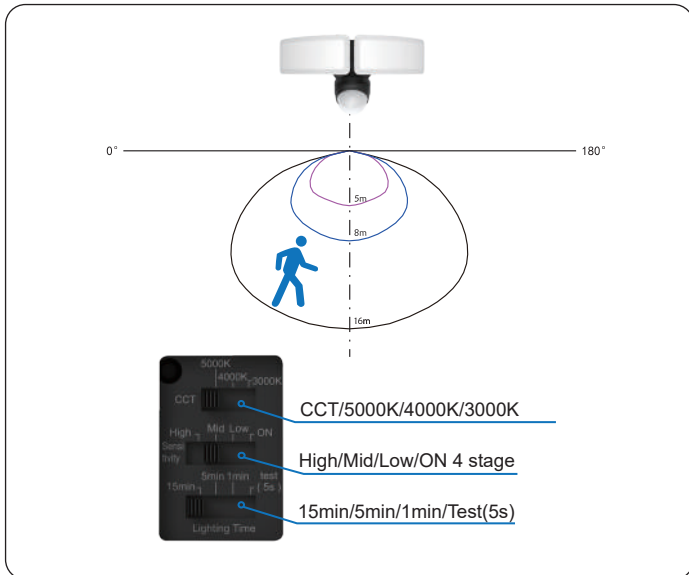
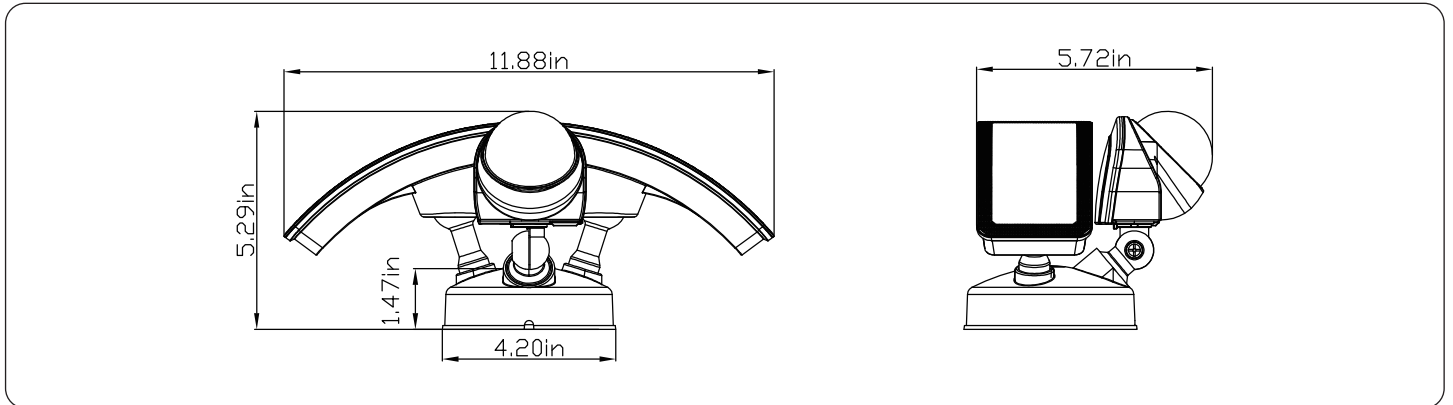




Specification	
Model	VO-SC2W30-120-P-3WAY
Power	2x15W
Luminous Flux	2800lm
Power Supply	120V/60 Hz
C.C.T	3CCT(3000K/4000K/5000K)
Ra	80
PF	0.7
Beam Angle	100°
Sensor	Pyroelectric Infrared Sensor(PIR)
Sensing Degree	180°
Sensing Distance	52.49ft(16m)
"On" Duration time	15min/5min/1min/Test(5s)
Installation Method	Wire Connection
Operation mode	PIR sensor
Life	35000hours
Waterproof Rating	Wet location/IP65
Lamp Body Material	PC+Aluminum
Lamp Cover	Frosted PC
Color	Black
Certificate	ETL,FCC



### Dimensions:



This product must be installed in accordance with applicable installation code by a person familiar with the construction and operation of the product and the hazards involved.

