



Dimmable



## Technical Specifications

Model No.:	VO-WL18W-SM-3WAY	VO-WL30W-MD-3WAY
Input Power	18W	30W
Lumens	1500LM	2400LM
Efficiency	80-84LM/W	
Input Voltage	120V	
CCT	3000K/4000K/5000K adjustable	
CRI	>80	
Additional Function	CCT adjustable	
Certification	ETL Energy Star	
IP Rating	IP65	
Product Finishing	black	
Housing Material	Die-Cast Aluminium	
Lens	UV-resistant	
Life Time	50,000 Hours	
Operating Temperature	-40°F to 122°F	
Storage Temp	-40°F to 176°F	
Installation	Junction box	
Warranty	5 Years Limited	

## Description:

VOTATEC's LED adjustable wall lights provide die-casting aluminium heat sink and is well-constructed with high quality. It is IP65 water-proofed, weather resistant and rust resistant, suitable for outdoor and indoor use. You can mounted it on the wall as a porch light in outdoor and Also you can mounted in the staircase corridor in Indoor. Multi-use for your choice.



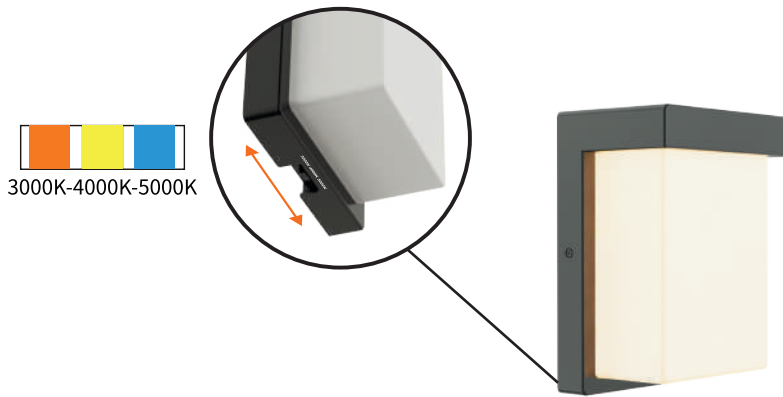
### Advantages

- Easy installation
- Wet location rated IP65
- ETL Energy Star listed.
- Durable die-casting aluminum housing.
- UV-resistant lens.

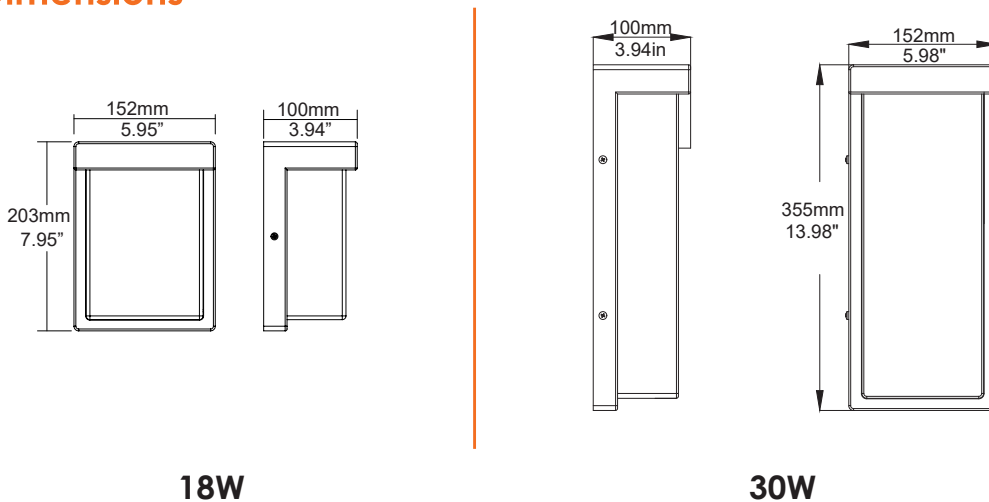
### Applications

You can mounted it on the wall as a porch light in outdoor and Also you can mounted in the staircase corridor in Indoor. Multi-use for your choice.

### Features



### Dimensions



Dimmable

